

# BRG ISO+ FLEXIBLE DUCT



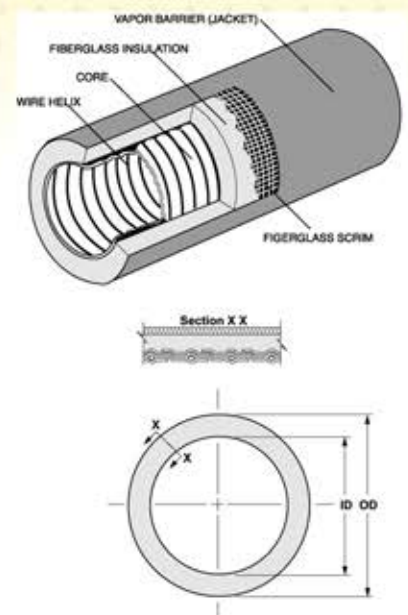
BRG ISO+ FLEXIBLE DUCT is a highly thermally Insulated ducting, which is designed for HVAC System. It has been developed to minimize the heat gain or loss resulting from the temperature difference between the air flowing in a duct and the surrounding air. The vapour barrier prevents condensation forming on the outside of ducts carrying Air at lower temperatures than surrounding air. The UFD insulated Flexible Duct is used in standard HVAC systems. BRG ISO+ FLEXIBLE DUCT is insulated with nominal density 16kg/m<sup>3</sup> - 32kg/m<sup>3</sup> fiberglass insulation.

## REACTIONS TO FIRE

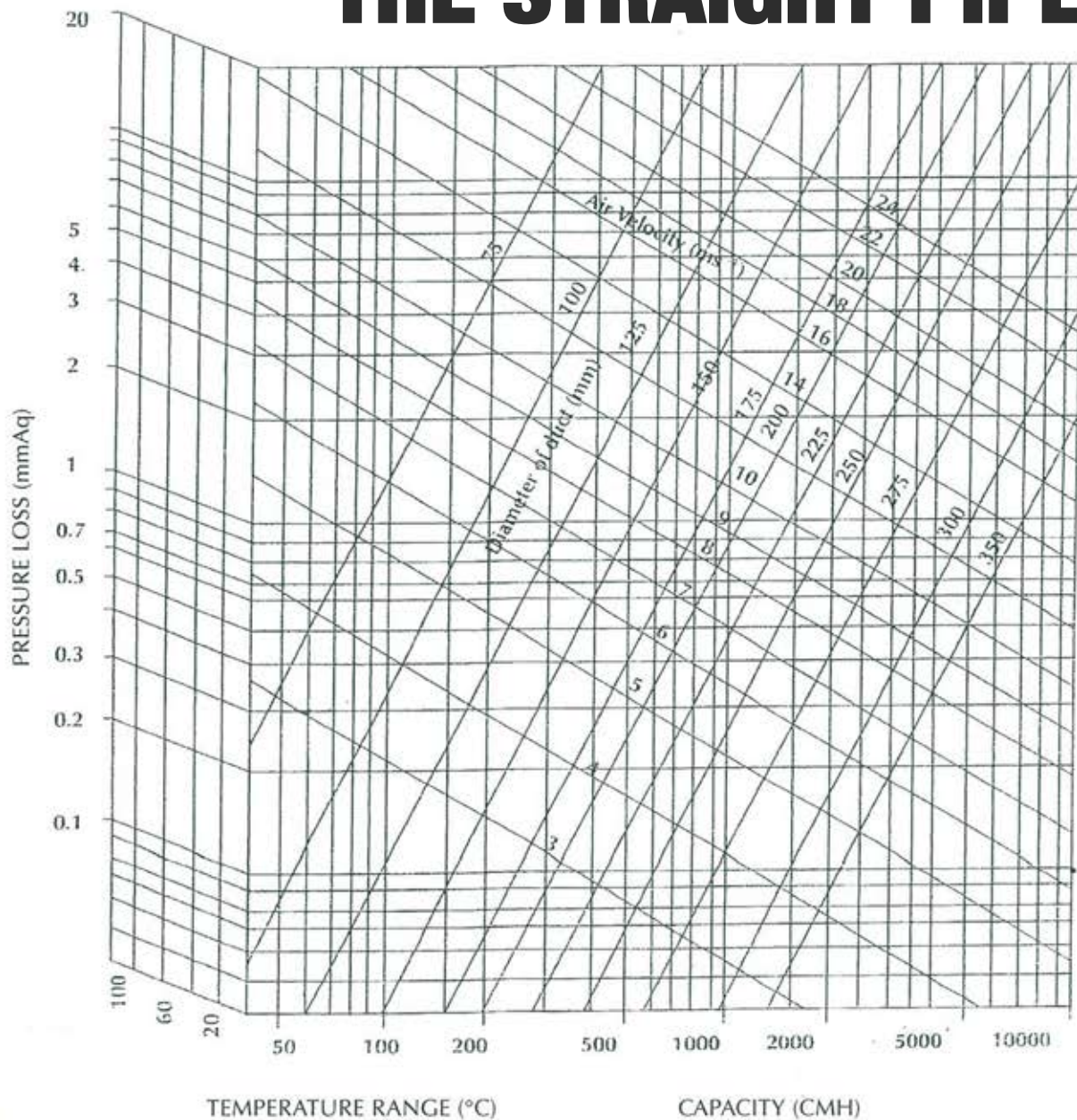
Rated as Class "O" material for insulated ducts and Tested to BS476-6:1989/A1:2009 & part 7: 1997 under the requirement From FSSB

## FEATURES AND BENEFITS

- Air tight – No air leakage, No fiber erosion.
- Insulation – Class "O" Rated Glasswool.
- Core material – Low friction loss, strong and flame resistant
- Vapour barrier – Reinforced for maximum toughness and tear resistance.
- Wire – Strong and non corrosive.
- Modular and economical air distribution system with maintenance free life - high degree of flexibility which allows it to be connected to any desired position.
- A quick and economical means of correcting misalignment between system components.
- Available as bare and preinsulated.
- Reduces total installed cost – Fast and easy to install.
- Allows ducting around obstacles where fabricated and fitted ducts would be difficult and costly to install.



# PRESSURE DROP ACROSS THE STRAIGHT PIPE



## IMPORTANT BENEFITS

- Easily cut and joined
- Galvanized core wire for Greater corrosion resistance
- Compressed up to 80%

## SIZES

Diameter: 100mm to 500mm  
 Standard Length: 5m or 10m  
 Insulation types: 16kg/m<sup>3</sup>x25mm,  
 32kg/m<sup>3</sup>x25mm, 32kg/m<sup>3</sup>x50mm

