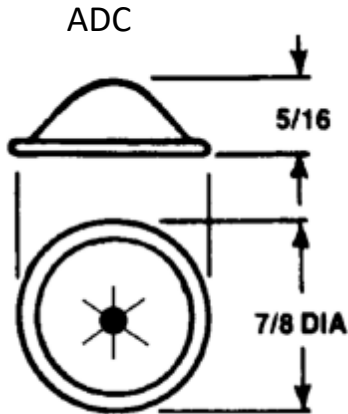


## MISCELLANEOUS INSULATION WASHERS

### CAPPED SPEED WASHER

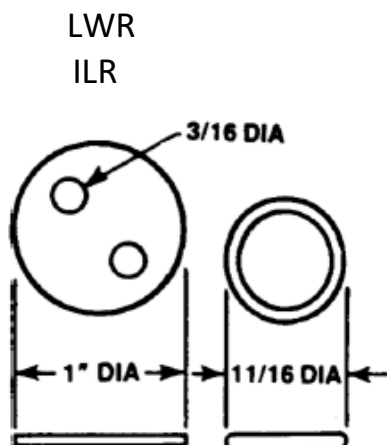


<b>APPLICATION:</b>	Designed to permanently lock on to weld pins or insul-anchors where appearance is a major factor, or where no sharp points or edges are permissible on the surface
<b>MATERIAL:</b>	Decorative Domed Cap – Aluminium Self-Locking Insert – Hardened Steel
<b>COLOR:</b>	Plain (bright aluminium) or painted white. Other painted colors are available by special order

**TO ORDER OR SPECIFY, GIVE:**

1. Product Code.....ADC
2. Size.....10GA, 12GA or 14GA
3. Color.....

## LACING WASHER & RING



<b>APPLICATION:</b>	Designed to be used with lacing wire to wrap insulation around irregular shapes
<b>MATERIAL:</b>	Washer – Aluminium or Stainless Steel Ring – Zinc alloy, bright zinc plated
<b>NO-AB:</b>	Washers are available stamped 'NO AB' to indicate non-asbestos material.

**TO ORDER OR SPECIFY, GIVE:**

**Lacing Washer**

1. Product Code.....LWR
2. Material.....

**Lacing Ring**

1. Product Code.....ILR
2. Material.....Zinc Alloy