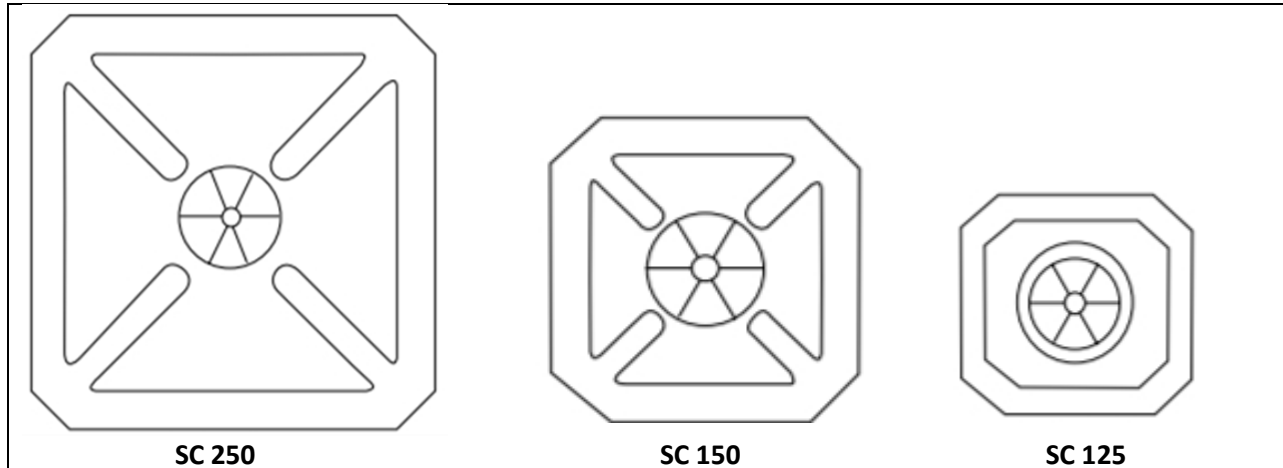


## SELF-LOCKING WASHERS (Square)



Type	SC 250	SC 150	SC 125
Diameter	2-1/2 x 2-1/2	1-1/2 x 1-1/2	1-1/4 x 1-1/8
Thickness	.015nom.	.015nom.	.015nom.
Material	Mild Steel	Mild Steel	Mild Steel
Plating	Galv.	Galv.	Galv.
Edges / flat or beveled	Beveled	Beveled	Beveled
Other materials available	Alum.,S.S.	Alum.,S.S.	Alum.,S.S.
Packaged per carton	1000	1000	1000

BRG Self-Locking Washers are used in conjunction with weld pins, insul-anchors and lacing anchors to fasten insulation in place. Simply press the self-locking washer onto the pin up to the insulation until the desired position is reached. Then clip off, (or bend over) the remaining portion of pin for a permanent attachment.

Both Round or Square self-locking washers are available as a matter of design or application preference. The domed, multi-lanced hole design

provides for ease of locating washer on pin and positive locking. Most styles of washers are manufactured with a beveled edge to prevent the washer from cutting into the insulation facing.

BRG Self-Locking Washers are available according to the chart above and with standard 10GA, 12GA, or 14GA hole sizes off-the-shelf. Others material/plating combinations and hole sizes are available by special order.

**TO ORDER OR SPECIFY, GIVE:**

1. Product Code.....SC
2. Material.....MS, SS, AL
3. Type.....250, 150, 125
4. Diameter of pin/stud on which washer is to be used.....

**BUILDING RESOURCES GROUP PTE LTD**

31 Tuas Ave 8, Singapore 639245

Tel : +65 6861 7091 | Fax : +65 6861 7092 | Email : [sales@buildingresourcesgroup.com](mailto:sales@buildingresourcesgroup.com)